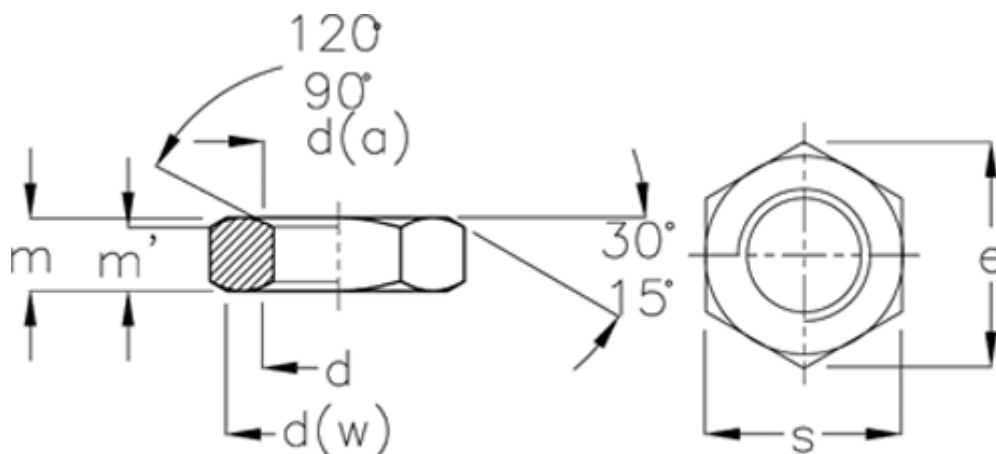


Article number: 201605121

Description: Lock nut ISO 8675 B-M12x1,5 Stainless

Measures



d	= M12	m min	= 5.70
$d1$ max	= 13.0	s max	= 18
$d1$ min	= 12	s min	= 17.73
$d2$	= M12	Thread pitch	= 1.5
$d3$	= 1.5	w	= 16.63
e	= 20.03		
m	= 4.56		
m max	= 6		